

6 5 4 3 2 1

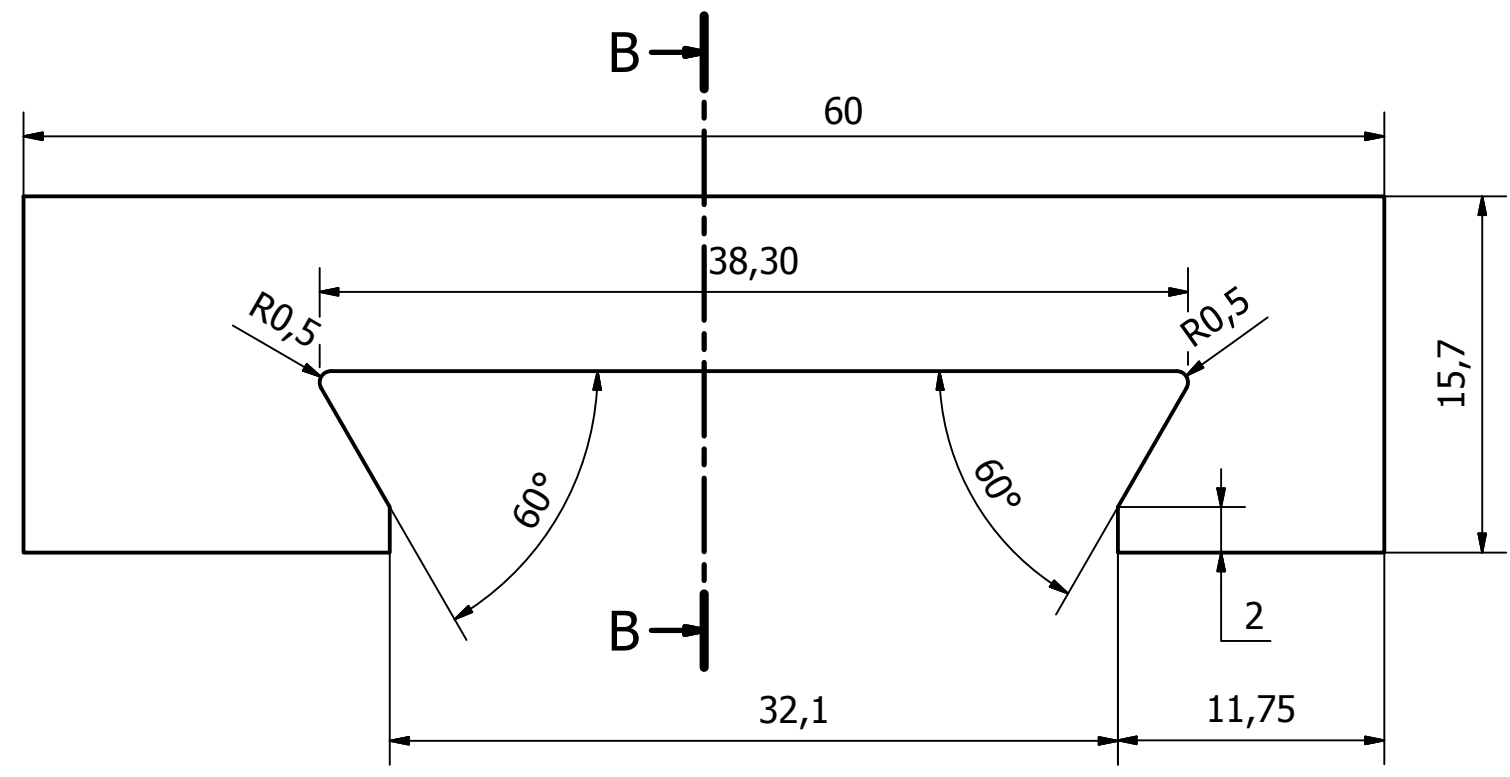
D D

C C

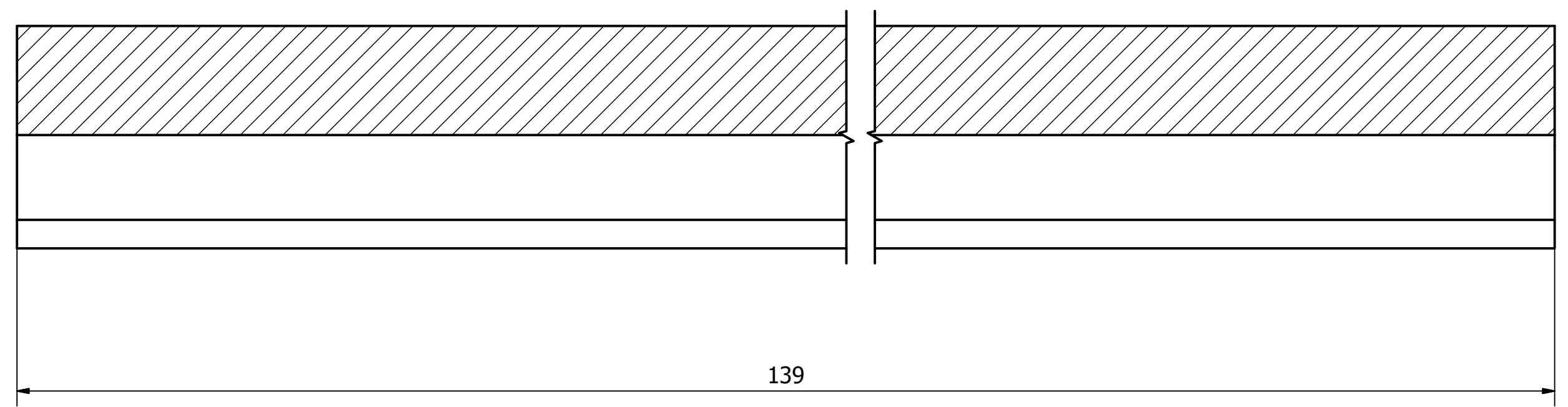
B B

A A

Matière E355



B-B ( 3 : 1 )



Designed by jerome	Checked by	Approved by	Date	Date 28/03/2016
			Part2-1	Edition
			Sheet 1 / 1	

6 5 4 3 2 1