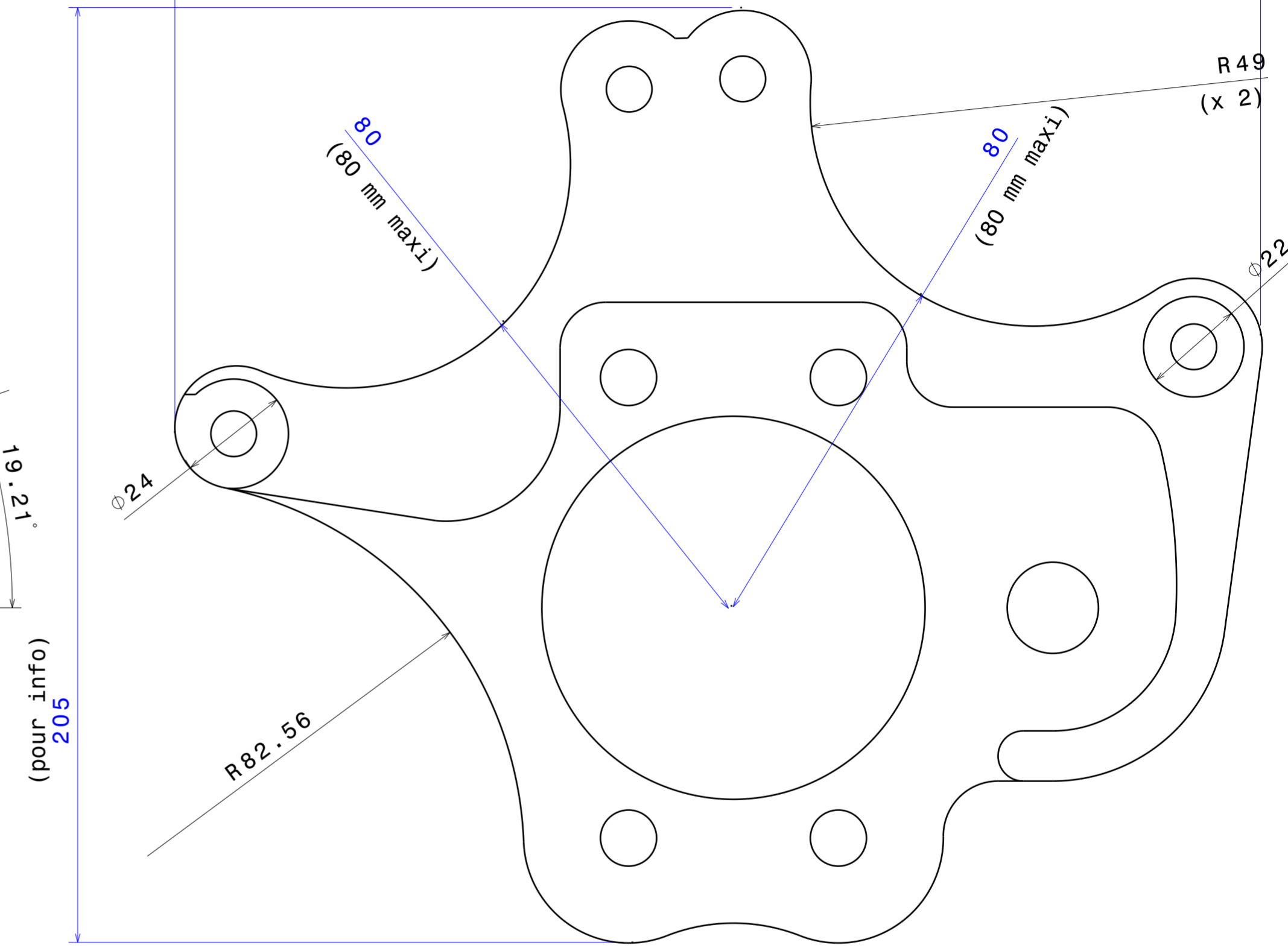
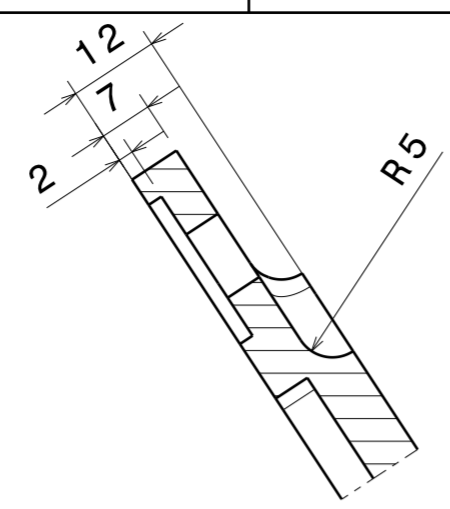
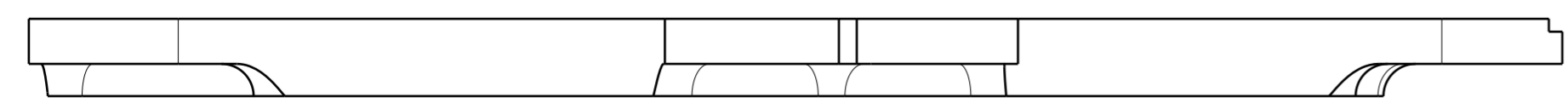


Vue de face
Echelle : 1:1



Vue de derrière
Echelle : 1:1



Vue de dessus
Echelle : 1:1

DESIGNED BY: Thomas		Support étriers AR gauche (droite symétrique)		I	-
DATE: 17/02/2016				H	-
CHECKED BY: Damien		ALTA Conseil		G	-
DATE:				F	-
SIZE: A2		Nissan S14		E	-
SCALE: 1:1	WEIGHT (kg)			D	-
DRAWING NUMBER		SHEET		C	-
		1/1		B	-
This drawing is our property; it can't be reproduced or communicated without our written agreement.					