

4

3

2

1

D

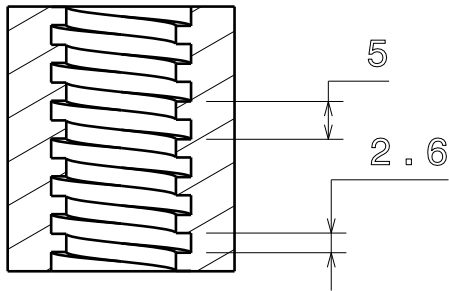
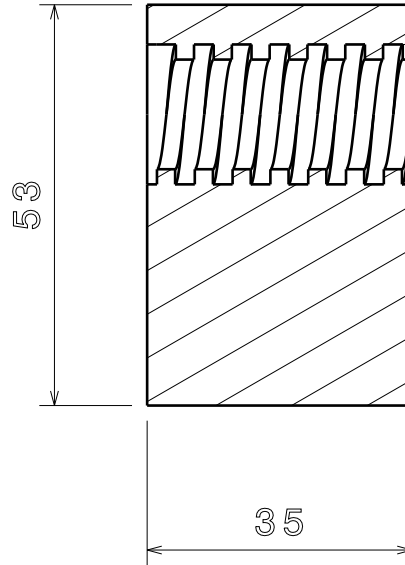
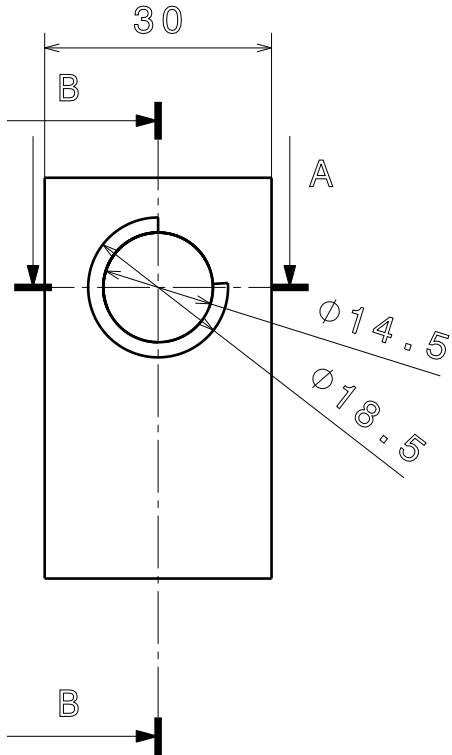
C

B

A

Coupe B-B

Echelle : 1:1



Coupe A-A

Echelle : 1:1

DESIGNED BY: Camille	Ply Name	XXXX	I	-
DATE: 16/02/2016	Material	XXXX	H	-
CHECKED BY: XXX	Direction	XXXX	G	-
DATE: XXX	Thickness	XXXX	F	-
SIZE A4	SequenceID	XXXX	E	-
SCALE 1:1	WEIGHT (kg) XXX	GroupID	D	-
			C	-
This drawing is our property; it can't be reproduced or communicated without our written agreement.			B	-
			A	-

D

A

4

3

2

1