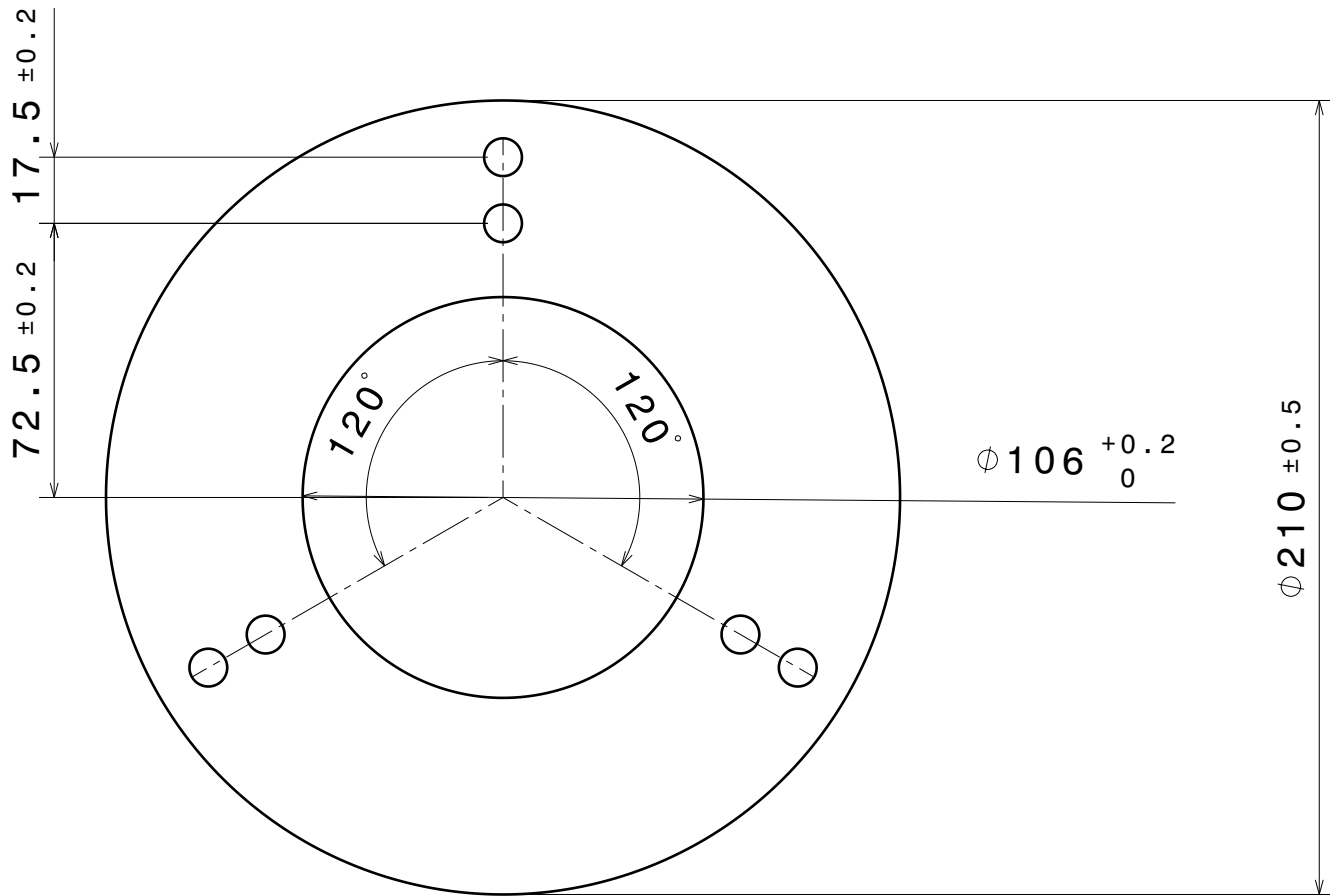


D

C

B

A



2.5

$\phi 106^{+0.2}_0$

$\phi 210 \pm 0.5$

$120^\circ$

$72.5 \pm 0.2$

$17.5 \pm 0.2$

Tous les perçages sont de diamètre 10

This drawing is our property. It can't be reproduced or communicated without our written agreement.		<b>WINDEE</b>			
		DRAWING TITLE			
DRAWN BY <b>Ambroise</b>		DATE 05/02/2016		<b>Disque central pavillon</b>	
CHECKED BY <b>XXX</b>		DATE XXX		SIZE <b>A4</b>	
DESIGNED BY <b>XXX</b>		DATE XXX		DRAWING NUMBER <b>XXX</b>	
		SCALE <b>1:2</b>		REV <b>X</b>	
		WEIGHT(kg) <b>XXX</b>		SHEET <b>1/1</b>	

D

A

4

3

2

1

4

3

2

1