

H G F E D C B A

4

4

3

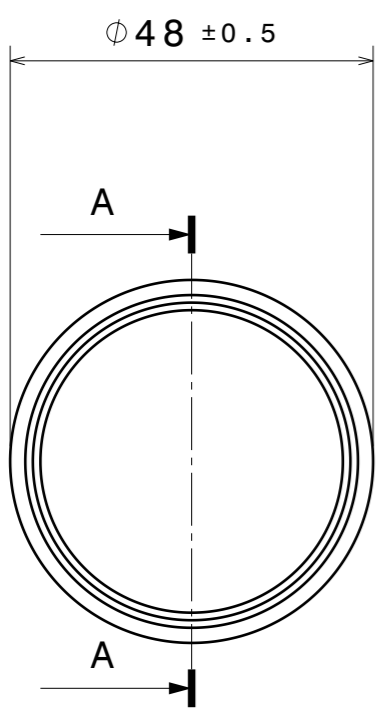
3

2

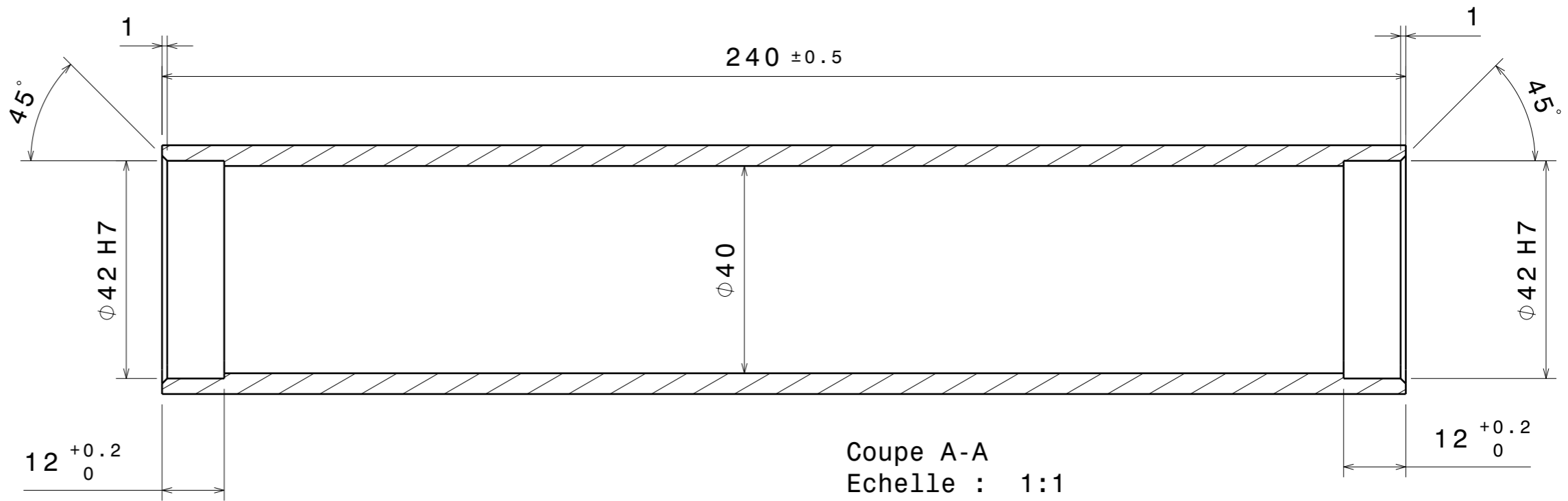
2

1

1



Vue de face
Echelle : 1:1



Coupe A-A
Echelle : 1:1

Matière : Acier ferrique type S235 (bonne soudabilité)

DESIGNED BY: KEVIN ROBLES		Embase		I	-
DATE: 18/01/2016				H	-
CHECKED BY: XXX				G	-
DATE: XXX		Plan de détail		F	-
SIZE A3				E	-
SCALE 1:1	WEIGHT (kg) 0,79			D	-
DRAWING NUMBER		C	-		
SHEET 1/1		B	-		
This drawing is our property; it can't be reproduced or communicated without our written agreement.		A	-		

H G B A