

4

H

G

L

W

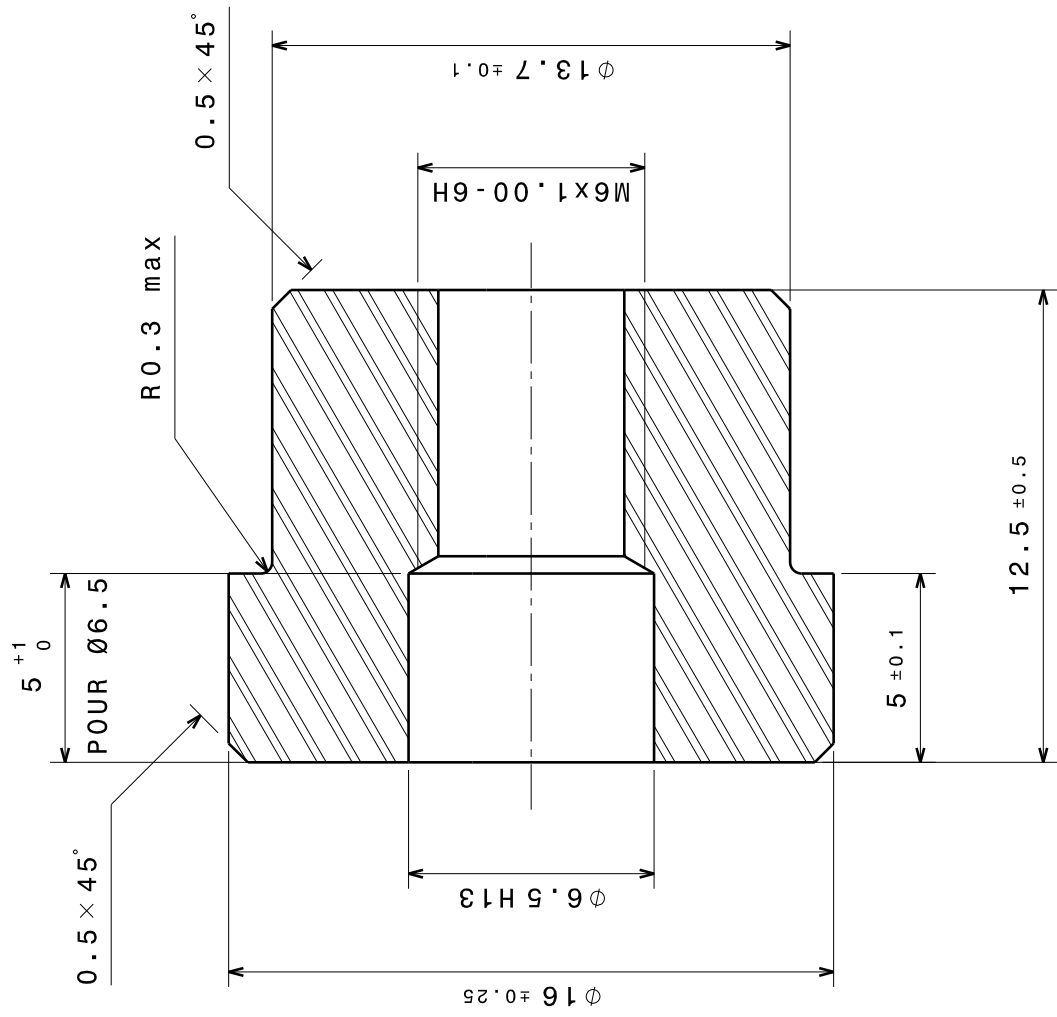
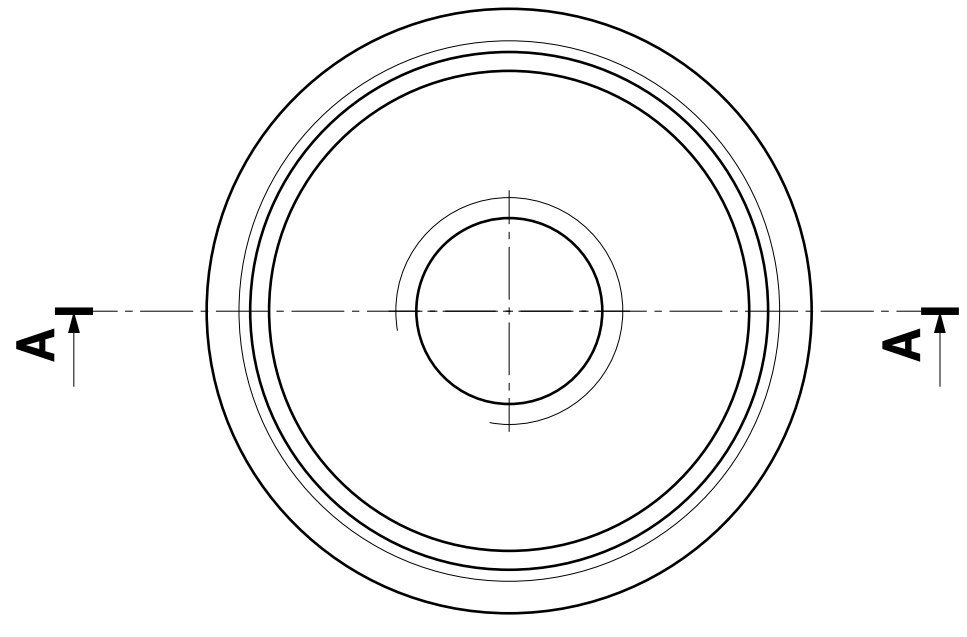
A - A

3

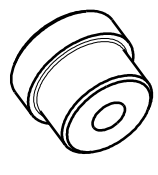
2

4

1



**Vue isométrique**  
**Echelle : 1:1**



**DOUILLE**

|  |                            |                                       |                           |                       |
|--|----------------------------|---------------------------------------|---------------------------|-----------------------|
| 26/01/2016   | O. GUEROULT                |                                       |                           |                       |
| DATE   | DESSINE PAR<br>Designed by | DATE                                  | VERIFIE PAR<br>Checked by |                       |
| Matière : AW5754   |                            |                                       |                           |                       |
| TRAITEMENT :<br>Treatment  |                            |                                       |                           |                       |
| PROTECTION :<br>Protection   |                            |                                       |                           |                       |
| Etat de surface / Surface roughness<br>Ra = 3.2                          |                            | Ebarbage / Edge-deburring<br>ST04-ST5 |                           | PROJECTION            |
| Tolérances générales / Main tolerances<br>ISO 2748 - H                   |                            | Marquage / Marking<br>31351           |                           |                       |
| 0.5 à 6mm ±0.05 / 6 à 30mm ±0.10<br>30 à 120mm ±0.15 / 120 à 400mm ±0.20 |                            |                                       |                           |                       |
|  |                            | ORIGINE<br>Origin                     |                           | FEUILLE<br>Sheet      |
|  |                            | MASSE<br>Weight<br>4.5g MAX.          |                           | 1/1                   |
|  |                            | ECHELLE<br>Scale<br>5:1               |                           | A3                    |
|  |                            | <b>ASTR_01</b>                        |                           | INDICE<br>Issue<br>AA |

H

G

L

W

A

B

A

A