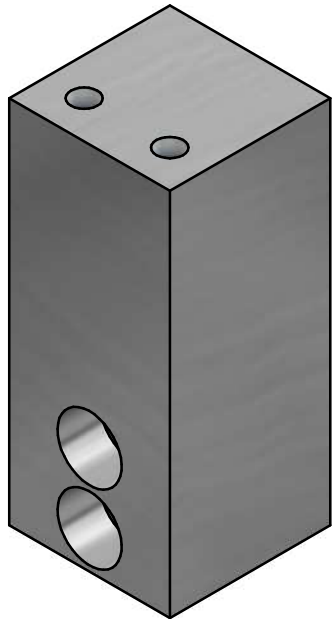
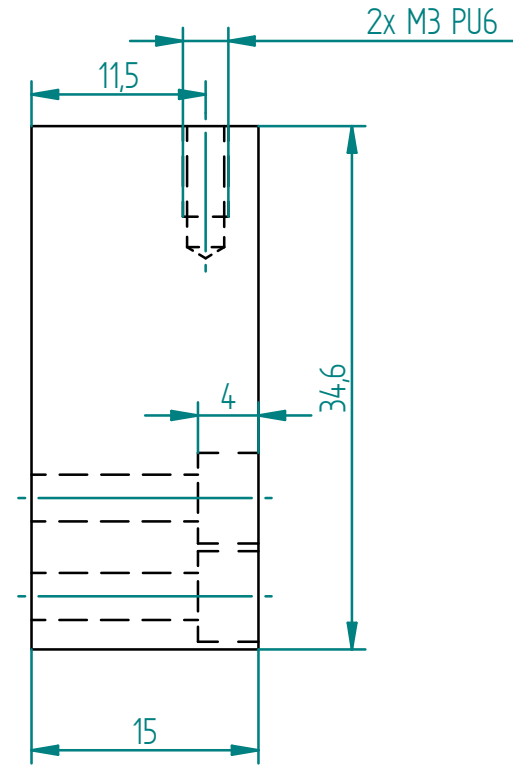
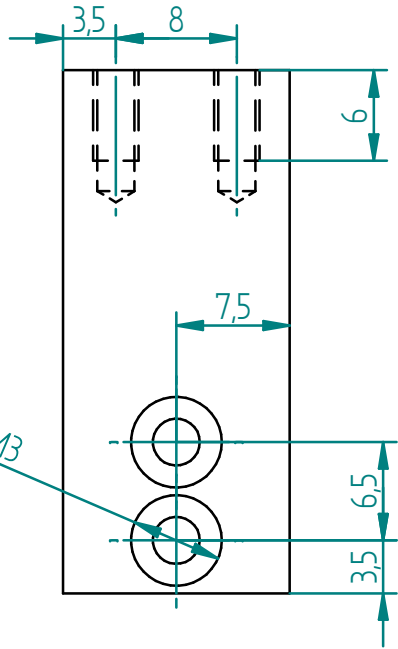


2x  $\varnothing 3,1$  Fraisage vis M3



Aluminium

2:1