

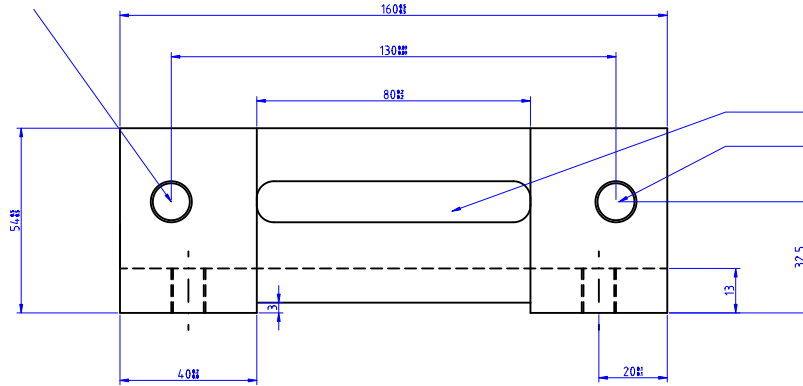
Notes:

- 1. GENERAL TOLERANCE : ISO 2768mK
- ALL DIMENSIONS ARE IN mm U.N.O
- REMOVE ALL SHARP EDGES.
- 2. MACHINING : Ra3.2 (1.6)

Rev No	Revision note	Date	Signature	Checked
Rev A		07/11/2015		

Vue de dessus

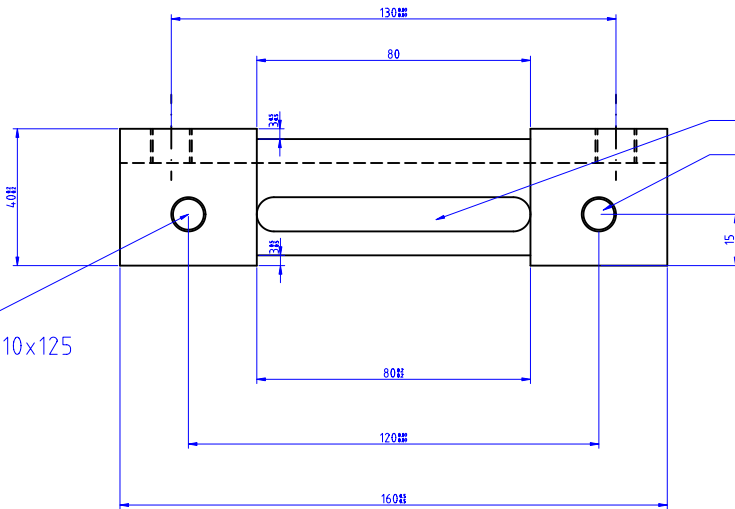
Taroudage M12x150
traversant



Rainurage 12mm traversant

Taroudage M12x150
traversant

Vue de face

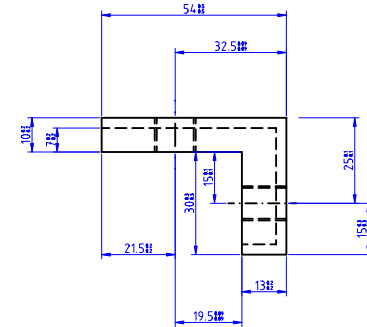


Rainurage 10mm traversant

Taroudage M10x125
traversant

Taroudage M10x125
traversant

Vue de coté



Item ref	Quantity	Cale étrier Porsche Boxter Arrière 986 pour MX5 NB pivots avant. Montage 278x25x49.1		Article No./Reference
Designed by : S.Quent	Checked by	Approved by - date	Filename	Date : 30/12/2015
GRP Automotive				Scale
				Edition
				Sheet