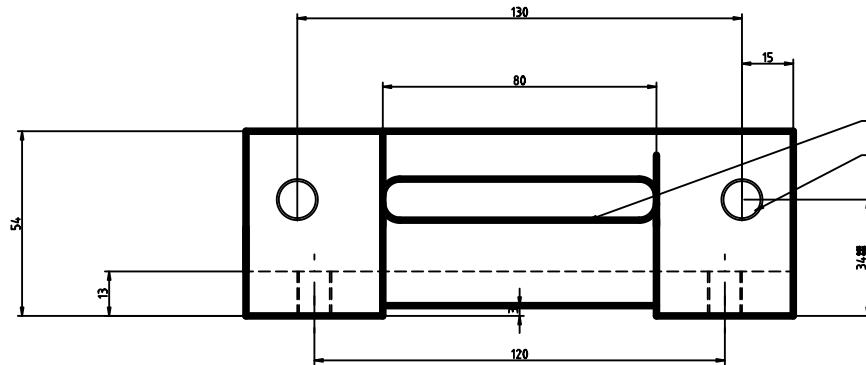


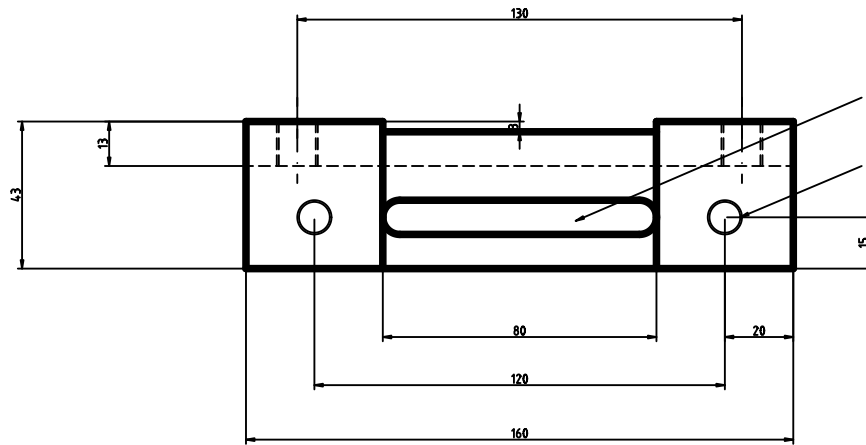
Notes:

- 1. GENERAL TOLERANCE : ISO 2768mK
- ALL DIMENSIONS ARE IN mm U.N.O
- REMOVE ALL SHARP EDGES.
- 2. MACHINING : Ra3.2 (1.6)

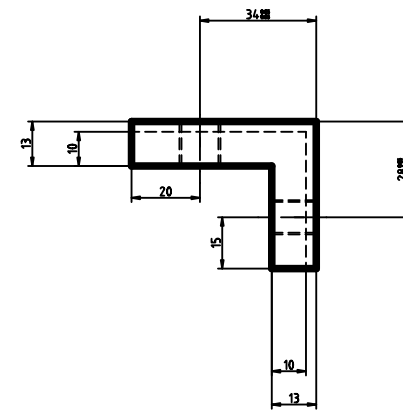
Rev No	Revision note	Date	Signature	Checked
Rev B		07/11/2015		



Rainurage 12mm traversant
 Taraudage M12x125 traversant



Rainurage 10mm traversant
 Taraudage M10x100 traversant



Item ref	Quantity	Cale éster Porsche Boxter Avant 986 pour MXS NB pivots avant			Article No./Reference
Designed by : S.Quent	Checked by	Approved by - date	Filename	Date 07/11/2015	Scale
GRP Automotive				Edition	Sheet